

**It's all about experience.**



**Single**



**Trefoil**



**Universal**



**Special**



**KOZ® Products BV is specialized since 1998 in the design and manufacture of new and innovative cable cleats and cable blocks.  
We provide quality, service, durability and reliability.**

**KOZ® Cable cleats and blocks are certified according to the new standard  
NEN-EN-IEC 61914:2016**

**The following tests were applied :**

- salt water spray test
- impact test
- light accelerated ageing test - voltage test
- lateral load test at +120°C
- axial load test at +120°C
- sliding load test with and without rubber inlays
- needle flame test
- test maximum temperature for permanent application +120°C
- test minimum temperature for permanent application -80°C
- test for resistance to electromechanical force in single, trefoil and flat formation

**Application :**

For arrangement of cables in flat formation or in layers upon each other , to provide securing of cables when installed at intervals along the length of cables, and to hold the cables together in order to provide resistance to electromechanical forces.

**KOZ Cable Cleats range UNI: cable range Min. Dia. mm 13 — Max. Dia. mm 67.**

KOZ UNI blocks are designed that they can be easily shortened as well as increased due to its unique dovetail construction. This has resulted in a cable block which can be used in a number of ways to suit your needs.

**Specifications KOZ® cable blocks range UNI :**

- Application:** Fitting of a number of single- and multiple-conductors, for low- medium- and high voltage cables.
- Material:** Polyamide, fiberglass-reinforced, black, halogen free, resistance to Ultraviolet rays, radioactive rays , UV rays, salt water , ozone, oils , acids, fuels and alkalis.
- Flame resistance:** UL94 V-0 and classification following DIN 5510-2:2009 with flammability class S3, smoke SR2 and dripping ST-2.
- Standards:** According to European Standard NEN-IEC 61914:2016, Certificate of Conformity KOZ N° 20117C by SGS. All products listed in this catalogue are factored fully compliant with the latest EU Directive 2011/65/EU ROHS. Meeting all legal obligations under reach.
- Flexure strength:** 210 N/mm<sup>2</sup>.
- Tensile strength:** 120 N/mm<sup>2</sup>.
- Thermal expansion:** 0,01% per 10 °C. temperature increase.
- Temperature limits:** Permanent application from - 80° C. to +120° C. Brief heating up to 220°C.
- Fixing Materials:** Standard material fixing sets in stainless steel A2  
**Options :** fixing sets in Electrolytic ally galvanized, thermal/Hot Dip galvanized or stainless steel A4.
- Initial torque for fastening bolts/nuts/screws :** 5 - 8 Nm (depends also on cable manufacturer prescriptions ).

**Certificate of Conformity NEN-EN-IEC 61914:2016**

KOZ® cable blocks passed all the following tests with positive results:

- Salt water spray test - impact test - light accelerated ageing test - voltage test - lateral load test at **+120°C** - axial load test at **+120°C** - sliding load test with and without rubber inlays - needle flame test - test maximum temperature for permanent application **+120°C** - test minimum temperature for permanent application **-80°C** - test for resistance to electromechanical force in single, trefoil and flat formation.
- Tests by KEMA Netherlands, SGS Belgium , UL Inc. , Schneider France .....

**Fixing Materials :**

For our full assortment of KOZ cable cleats and blocks we have the standard fixing material set (custom sizes) in stainless steel A2 deliverable from stock.

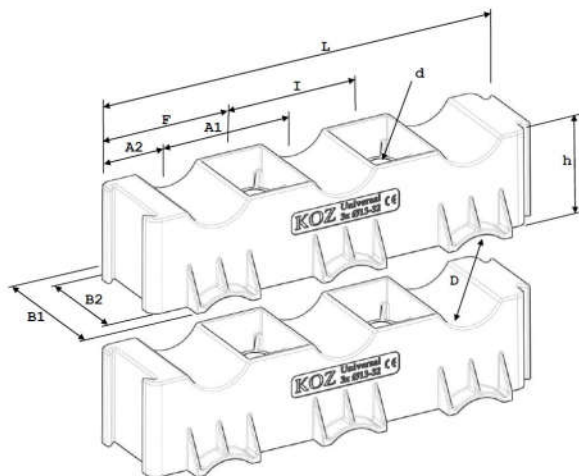
**Other options :** Besides our standard fixing material set in stainless steel A2 we also have the options for other types such as Electrolytic ally galvanized (ELVZ), Thermal galvanized /Hot Dip Galvanized (HDG) or stainless steel A4.

**Advice :** Naturally we are pleased to give you advice for which kind of fixing material you need in a specific situation.

Do not hesitate to contact us if you have any questions regarding fixing material.

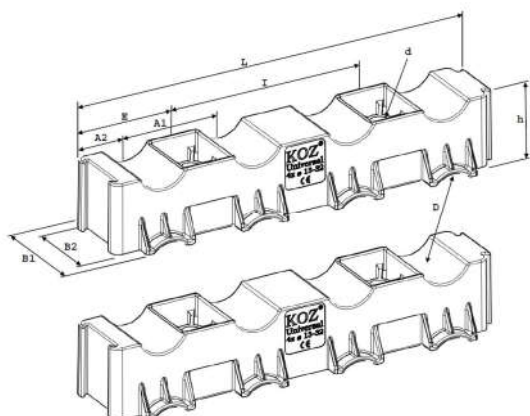


**KOZ® Cable Blocks range UNI**

**NEN-EN-IEC 61914 : 2016**
**UNI 3x13-32**


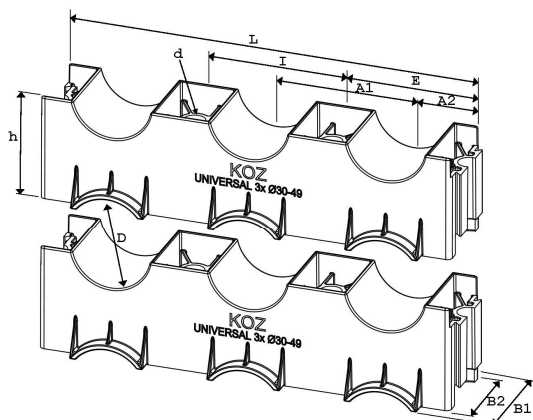
Dimensions in mm.						Packaging : per 100 pcs.
Type	D Ø	L	I	E	A1	
<b>UNI 3x13-32</b>	13-32	186,5	60,5	62,75	60,5	
	<b>A2</b>	<b>B1</b>	<b>B2</b>	<b>d Ø</b>	<b>h</b>	<b>Strenght</b>
	32,25	61	45	10,5	43	26.680 N

KOZ UNI blocks are designed that they can be easily shortened as well as increased due to its unique dovetail construction. This has resulted in a cable block wich can be used in a number of ways to suit your needs.

**UNI 4x13-32**


Dimensions in mm.						Packaging : per 100 pcs.
Type	D Ø	L	I	E	A1	
<b>UNI 4x13-32</b>	13-32	246,5	121	62,75	60,5	
	<b>A2</b>	<b>B1</b>	<b>B2</b>	<b>d Ø</b>	<b>h</b>	<b>Strenght</b>
	32,25	61	45	10,5	43	32.500

KOZ UNI blocks are designed that they can be easily shortened as well as increased due to its unique dovetail construction. This has resulted in a cable block wich can be used in a number of ways to suit your needs.

**UNI 3x30-49**


Dimensions in mm.						Packaging : per 36 pcs.
Type	D Ø	L	I	E	A1	
<b>UNI 3x30-49</b>	30-49	255	85	83	85	
	<b>A2</b>	<b>B1</b>	<b>B2</b>	<b>d Ø</b>	<b>h</b>	<b>Strenght</b>
	40	66	50	13	65	41.700

KOZ UNI blocks are designed that they can be easily shortened as well as increased due to its unique dovetail construction. This has resulted in a cable block wich can be used in a number of ways to suit your needs.

No rights may be derived from the indicated sizes, as the products are subject to ongoing development. KOZ® Products BV therefore reserves the right to implement these changes without notice. For the most up to date information, visit the website [www.kozproducts.com](http://www.kozproducts.com). No part of this publication may be reproduced without the knowlegde and specific permission of KOZ® Products BV.

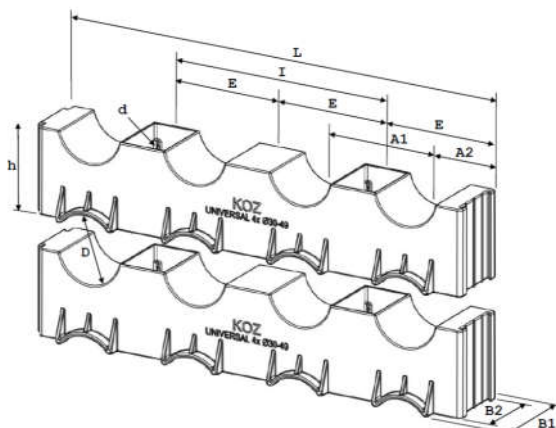


**KOZ® Cable Blocks range UNI**



**NEN-EN-IEC 61914 : 2016**

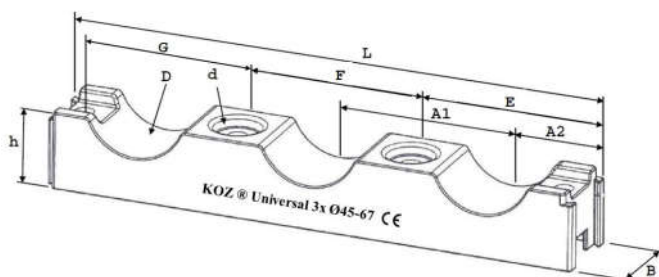
**UNI 4x30-49**



Dimensions in mm.						Packaging : per 48 pcs.
Type	D Ø	L	I	E	A1	
<b>UNI 4x30-49</b>	30-49	345	170	85	85	
	A2	B1	B2	d Ø	h	Strenght
	45	66	50	13,5	65	30.900

KOZ UNI blocks are designed that they can be easily shortened as well as increased due to its unique dovetail construction. This has resulted in a cable block wich can be used in a number of ways to suit your needs.

**UNI 3x45-67**



Dimensions in mm.						Packaging : per 36 pcs.
Type	D Ø	L	E	F	G	
<b>UNI 3x45-67</b>	45-67	356	118	117	103,5	
	A1	A2	B	d Ø	h	Strenght
	117	61	55	12,5	50	70.000 N

KOZ UNI blocks are designed that they can be easily shortened as well as increased due to its unique dovetail construction. This has resulted in a cable block wich can be used in a number of ways to suit your needs.



No rights may be derived from the indicated sizes , as the products are subject to ongoing development. KOZ® Products BV therefore reserves the right to implement these changes without notice. For the most up to date information , visit the website [www.kozproducts.com](http://www.kozproducts.com) . No part of this publication may be reproduced without the knowlegde and specific permission of KOZ® Products BV .

