

It's all about experience.



Single



Trefoil



Universal



Special



**KOZ® Products BV is specialized since 1998 in the design and manufacture of new and innovative cable cleats and cable blocks.
We provide quality, service, durability and reliability.**

**KOZ® Cable cleats and blocks are certified according to the new standard
NEN-EN-IEC 61914:2016**

The following tests were applied :

- salt water spray test
- impact test
- light accelerated ageing test - voltage test
- lateral load test at +120°C
- axial load test at +120°C
- sliding load test with and without rubber inlays
- needle flame test
- test maximum temperature for permanent application +120°C
- test minimum temperature for permanent application -80°C
- test for resistance to electromechanical force in single, trefoil and flat formation

Application :

For arrangement of cables in trefoil formation, to provide securing of cables when installed at intervals along the length of cables, and to hold the cables together in order to provide resistance to electromechanical forces.

KOZ Cable Cleats range TRI: cable range Min. Dia. mm 25 — Max. Dia. mm 145.

2019 : New !! : Type TRI 3x38-53

now with also 4 extra holes as solution to the problems of cleating trefoil cable runs to cable ladder or steel frameworks.

Specifications KOZ® cable cleats range TRI :

- Application:** Fitting of a number of single- and multiple-conductors, for low- medium- and high voltage cables.
- Material:** Polyamide, fiberglass-reinforced, black, halogen free, resistance to Ultraviolet rays, radioactive rays , UV rays, salt water , ozone,oils , acids, fuels and alkalis.
- Flame resistance:** UL94 V-0 and classification following DIN 5510-2:2009 with flammability class S3, smoke SR2 and dripping ST-2.
- Standards:** According to European Standard NEN-IEC 61914:2016, Certificate of Conformity KOZ N° 20117C by SGS. All products listed in this catalogue are factored fully compliant with the latest EU Directive 2011/65/EU ROHS. Meeting all legal obligations under reach.
- Flexure strenght:** 210 N/mm².
- Tensile strenght:** 120 N/mm².
- Thermal expansion:** 0,01% per 10 °C. temperature increase.
- Temperature limits:** Permanent application from - 80° C. to +120° C. Brief heating up to 220°C.
- Fixing Materials:** Standard material fixing sets in stainless steel A2
Options : fixing sets in Electrolytic ally galvanized, thermal/Hot Dip galvanized or stainless steel A4.
- Initial torque for fastening bolts/nuts/screws :** 5 - 8 Nm (depends also on cable manufacturer prescriptions).

Certificate of Conformity NEN-EN-IEC 61914:2016

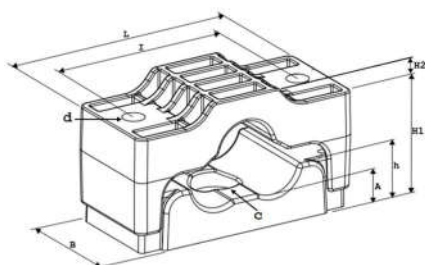
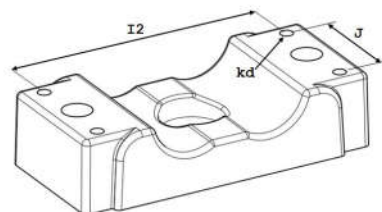
KOZ® cable cleats passed all the following tests with positive results:

- Salt water spray test - impact test - light accelerated ageing test - voltage test - lateral load test at **+120°C** - axial load test at **+120°C** - sliding load test with and without rubber inlays - needle flame test - test maximum temperature for permanent application **+120°C** - test minimum temperature for permanent application **-80°C** - test for resistance to electromechanical force in single, trefoil and flat formation
- Tests by KEMA Netherlands, SGS Belgium , UL Inc. , Schneider France

Fixing Materials : For our full assortment of KOZ cable cleats and blocks we have the standard fixing material set (custom sizes) in stainless steel A2 deliverable from stock. **Other options :** Besides our standard fixing material set in stainless steel A2 we also have the options for other types such as Electrolytic ally galvanized (ELVZ), Thermal galvanized /Hot Dip Galvanized (HDG) or stainless steel A4. **Advice:** Naturally we are pleased to give you advice for which kind of fixing material you need in a specific situation. Do not hesitate to contact us if you have any questions regarding fixing material.

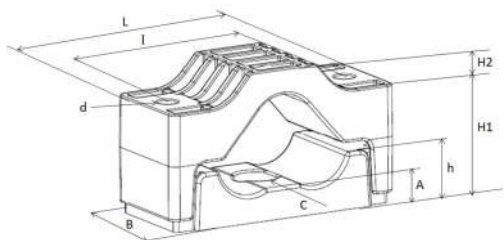
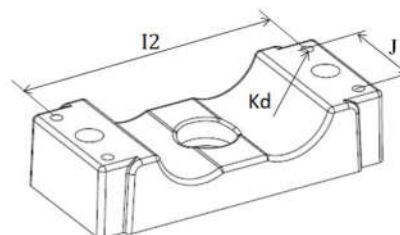


No rights may be derived from the indicated sizes , as the products are subject to ongoing development. KOZ® Products BV therefore reserves the right to implement these changes without notice. For the most up to date information , visit the website www.kozproducts.com . No part of this publication may be reproduced without the knowlegde and specific permission of KOZ® Products BV .


TRI 3x25-40


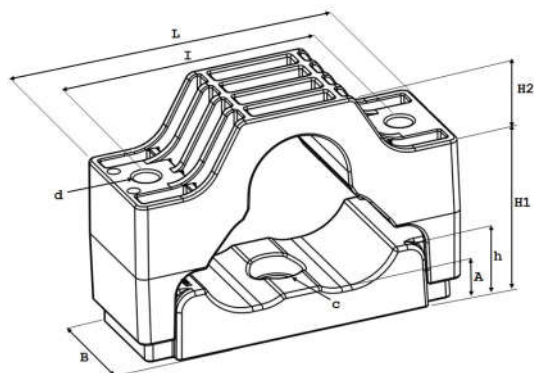
Dimensions in mm.														Packaging : per 25 pcs.
Type	D Ø	L	B	I	d Ø	H1	H2	h	A	C	I2	J	kd Ø	Strength
TRI 3x25-40	25-40	160	75	125	14,5	68-95	14	38	20	15	131,5	49	6,5	40.000 N

Cleat with central fastening hole in bottom part and extra 4 holes in the top part as well in the bottom part , this cleat can be fastened on different kind of support systems without drilling.holes.


TRI 3x38-53


Dimensions in mm.														Packaging : per 25 pcs.
Type	D Ø	L	B	I	d Ø	H1	H2	h	A	C	I2	J	kd Ø	Strength
TRI 3x38-53	38-53	183	78	145	15	82-116	23	41	23,5	15	154	51	6,6	48.800 N

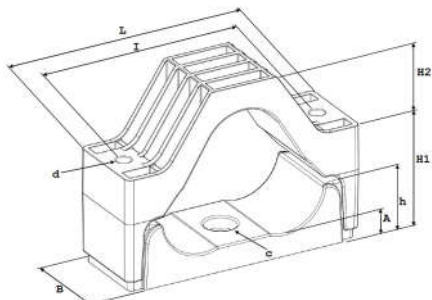
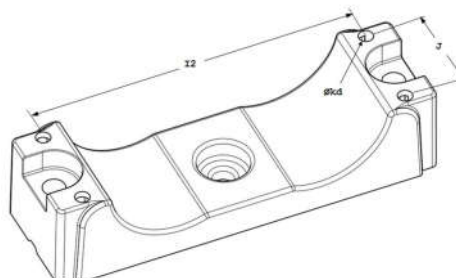
Cleat with central fastening hole in bottom part and extra 4 holes in the top part . This cleat can be fastened on different kind of support systems without drilling.holes


TRI 3x53-66

Dimensions in mm.							Packaging : per 20 pcs.
Type	D Ø	L	B	I	d Ø	H1	
TRI 3x53-66	53-66	216	80	169	15	100-120	
							Strength
	H2	h	A	C			69.000 N
	44	44	25	15,5			

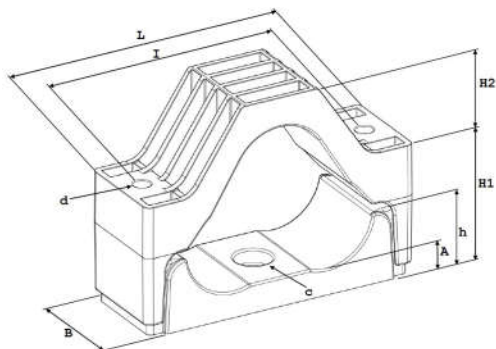
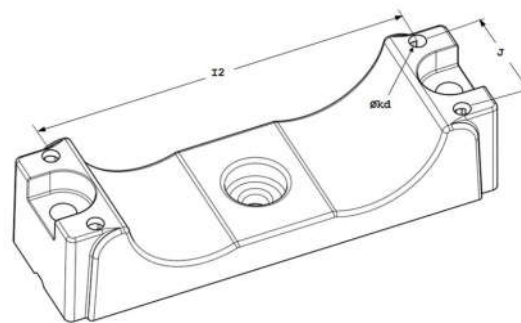
Cleat with central fastening hole in bottom part . This cleat can be fastened to e.g. masts and poles, as well as to concrete and fitting rails.

KOZ® Cable Cleats range TRI

NEN-EN-IEC 61914 : 2016

TRI 3x67-82


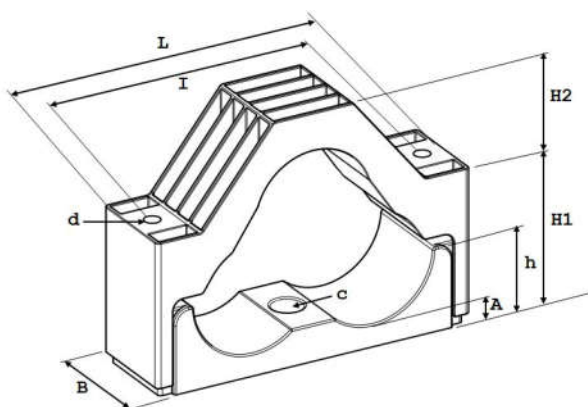
Dimensions in mm.														Packaging : per 8 pcs.
Type	D Ø	L	B	I	d Ø	H1	H2	h	A	C	l2	J	kd Ø	Strenght
TRI 3x67-82	67-82	250	90	200	16,5	130-164	44,3	61,5	26	16,5	216	60	8,5	55.600 N

Cleat with central fastening hole in bottom part and extra 4 holes in the top part as well in the bottom part , this cleat can be fastened on different kind of support systems without drilling.holes.


TRI 3x82-98


Dimensions in mm.														Packaging : per 10 pcs.
Type	D Ø	L	B	I	d Ø	H1	H2	h	A	C	l2	J	kd Ø	Strenght
TRI 3x82-98	82-98	282	100	234	16,5	125-160	79,5	69,5	26	16,5	222	69,15	10,5	52.900 N

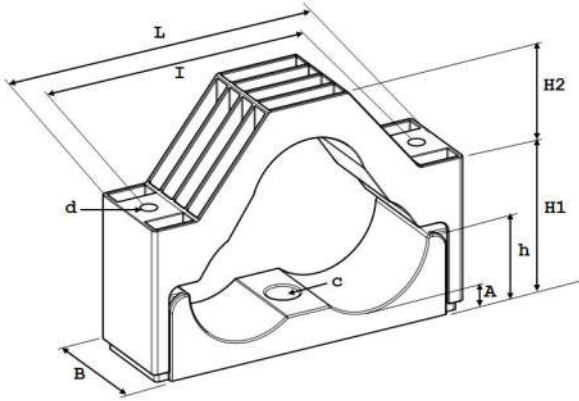
Cleat with central fastening hole in bottom part and extra 4 holes in the top part as well in the bottom part . This cleat can be fastened on different kind of support systems without drilling.holes


TRI 3x99-120

Dimensions in mm.							Packaging : per 5 pcs.
Type	D Ø	L	B	I	d Ø	H1	
TRI 3x99-120	99-120	342	115	288	19	155-203	
							Strenght
							65.000 N

Cleat with central fastening hole in bottom part . This cleat can be fastened to e.g. masts and poles,as well as to concrete and fitting rails.

No rights may be derived from the indicated sizes , as the products are subject to ongoing development. KOZ® Products BV therefore reserves the right to implement these changes without notice. For the most up to date information , visit the website www.kozproducts.com . No part of this publication may be reproduced without the knowlegde and specific permission of KOZ® Products BV .



TRI 3x121-145

Dimensions in mm.						Packaging : per 5 pcs.
Type	D Ø	L	B	I	d Ø	H1
TRI 3x121-145	121-150	392	115	338	19	180-238
		H2	h	A	C	Strenght
		108	100	33	18,5	65.000 N

Cleat with central fastening hole in bottom part . This cleat can be fastened to e.g. masts and poles, as well as to concrete and fitting rails.



No rights may be derived from the indicated sizes , as the products are subject to ongoing development. KOZ® Products BV therefore reserves the right to implement these changes without notice. For the most up to date information , visit the website www.kozproducts.com . No part of this publication may be reproduced without the knowlegde and specific permission of KOZ® Products BV .