

It's all about experience.



Single



Trefoil



Universal



Special



**KOZ® Products BV is specialized since 1998 in the design and manufacture of new and innovative cable cleats and cable blocks.
We provide quality, service, durability and reliability.**

**KOZ® Cable cleats and blocks are certified according to the new standard
NEN-EN-IEC 61914:2016**

The following tests were applied :

- salt water spray test
- impact test
- light accelerated ageing test - voltage test
- lateral load test at +120°C
- axial load test at +120°C
- sliding load test with and without rubber inlays
- needle flame test
- test maximum temperature for permanent application +120°C
- test minimum temperature for permanent application -80°C
- test for resistance to electromechanical force in single, trefoil and flat formation

No rights may be derived from the indicated sizes, as the products are subject to ongoing development. KOZ® Products BV therefore reserves the right to implement these changes without notice. For the most up to date information, visit the website www.kozproducts.com. No part of this publication may be reproduced without the knowledge and specific permission of KOZ® Products BV.

Application :

For arrangement of cables in trefoil formation, to provide securing of cables when installed at intervals along the length of cables, and to hold the cables together in order to provide resistance to electromechanical forces.

KOZ Cable Cleats range TRI-ECO : cable range Min. Dia. mm 24 — Max. Dia. mm 82.

Specifications KOZ® cable cleats range TRI-ECO :

- Application:** Fitting of a number of single- and multiple-conductors, for low- medium- and high voltage cables.
- Material:** Polyamide, fiberglass-reinforced, black, halogen free, resistance to Ultraviolet rays, radioactive rays , UV rays, salt water , ozone,oils , acids, fuels and alkalis.
- Flame resistance:** UL94 V-0 and classification following DIN 5510-2:2009 with flammability class S3, smoke SR2 and dripping ST-2.
- Standards:** According to European Standard NEN-IEC 61914:2016, Certificate of Conformity KOZ N° 20117C by SGS. All products listed in this catalogue are factored fully compliant with the latest EU Directive 2011/65/EU ROHS. Meeting all legal obligations under reach.
- Flexure strenght:** 210 N/mm².
- Tensile strenght:** 120 N/mm².
- Thermal expansion:** 0,01% per 10 °C. temperature increase.
- Temperature limits:** Permanent application from - 80° C. to +120° C. Brief heating up to 220°C.
- Fixing Materials:** Standard material fixing sets in stainless steel A2
Options : fixing sets in Electrolytic ally galvanized, thermal/Hot Dip galvanized or stainless steel A4.
- Initial torque for fastening bolts/nuts/screws :** 5 - 8 Nm (depends also on cable manufacturer prescriptions).

Certificate of Conformity NEN-EN-IEC 61914:2016

KOZ® cable cleats passed all the following tests with positive results:

- Salt water spray test - impact test - light accelerated ageing test - voltage test - lateral load test at **+120°C** - axial load test at **+120°C** - sliding load test with and without rubber inlays - needle flame test - test maximum temperature for permanent application **+120°C** - test minimum temperature for permanent application **-80°C** - test for resistance to electromechanical force in single, trefoil and flat formation
- Tests by KEMA Netherlands, SGS Belgium , UL Inc. , Schneider France

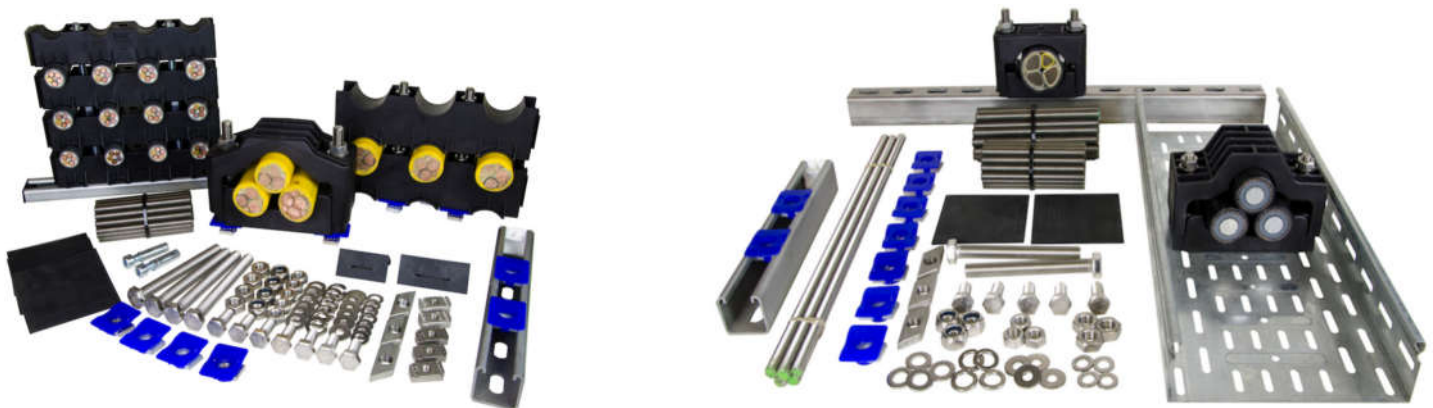
Fixing Materials :

For our full assortment of KOZ cable cleats and blocks we have the standard fixing material set (custom sizes) in stainless steel A2 deliverable from stock.

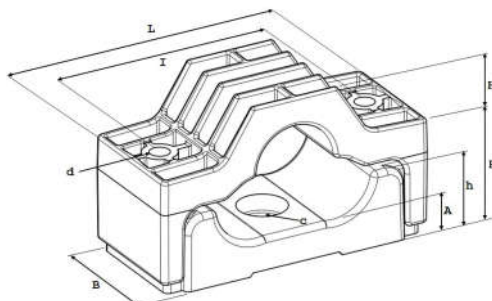
Other options : Besides our standard fixing material set in stainless steel A2 we also have the options for other types such as Electrolytic ally galvanized (ELVZ), Thermal galvanized /Hot Dip Galvanized (HDG) or stainless steel A4.

Advice : Naturally we are pleased to give you advice for which kind of fixing material you need in a specific situation.

Do not hesitate to contact us if you have any questions regarding fixing material.

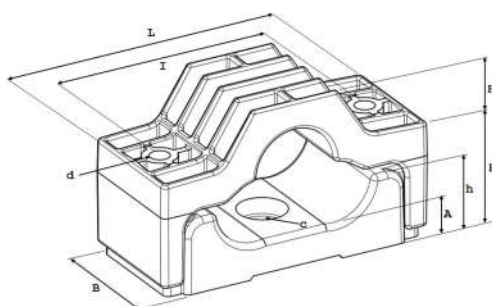


No rights may be derived from the indicated sizes , as the products are subject to ongoing development. KOZ® Products BV therefore reserves the right to implement these changes without notice. For the most up to date information , visit the website www.kozproducts.com . No part of this publication may be reproduced without the knowlegde and specific permission of KOZ® Products BV .

TRI ECO 3x24-35


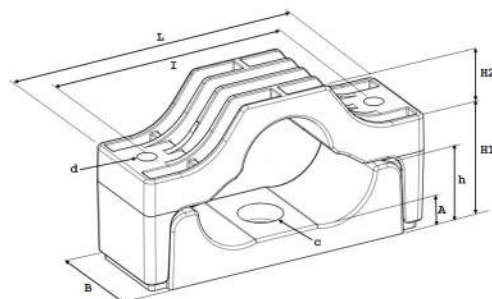
Dimensions in mm.											Packaging : per 50 pcs.	
Type	D Ø	L	B	I	d Ø	H1	H2	h	A	C	Strenght	
TRI-ECO 3x24-35	24-35	136	70	101	11	54-78	20	35	20	11	15.000 N	

Cleat with extra central fastening hole in bottom part. Can be fastened to e.g. masts, poles, as well as to concrete and fitting rails.

TRI ECO 3x33-46 (11)


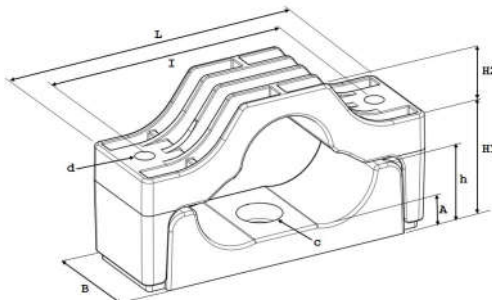
Dimensions in mm.											Packaging : per 50 pcs.	
Type	D Ø	L	B	I	d Ø	H1	H2	h	A	C	Strenght	
TRI-ECO 3x33-46 (11)	33-46	156	70	121	11	58-90	30	41	20	11	16.900 N	

Cleat with extra central fastening hole in bottom part. Can be fastened to e.g. masts, poles, as well as to concrete and fitting rails.

TRI ECO 3x33-46 (13)


Dimensions in mm.											Packaging : per 50 pcs.	
Type	D Ø	L	B	I	d Ø	H1	H2	h	A	C	Strenght	
TRI-ECO 3x33-46 (13)	33-46	166	70	130	13	64-86	29	38	20	13	20.300 N	

Cleat with extra central fastening hole in bottom part. Can be fastened to e.g. masts, poles, as well as to concrete and fitting rails.

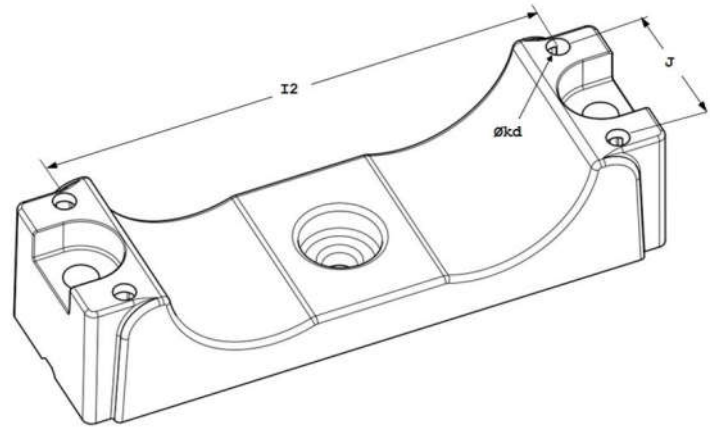
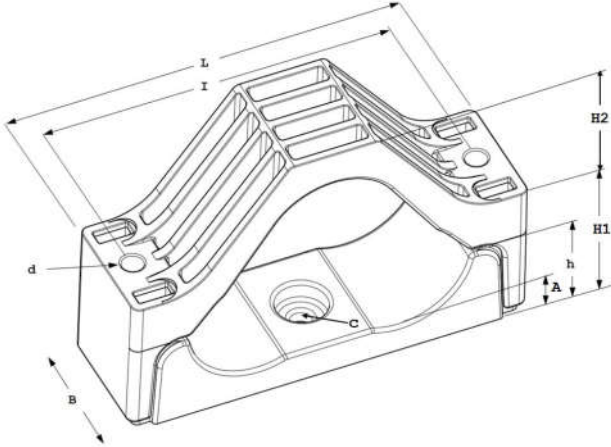
TRI ECO 3x47-66


Dimensions in mm.											Packaging : per 25 pcs.	
Type	D Ø	L	B	I	d Ø	H1	H2	h	A	C	Strenght	
TRI-ECO 3x47-66	47-66	205	70	170	13	80-120	38	51	19	13	22.300 N	

Cleat with extra central fastening hole in bottom part. Can be fastened to e.g. masts, poles, as well as to concrete and fitting rails.

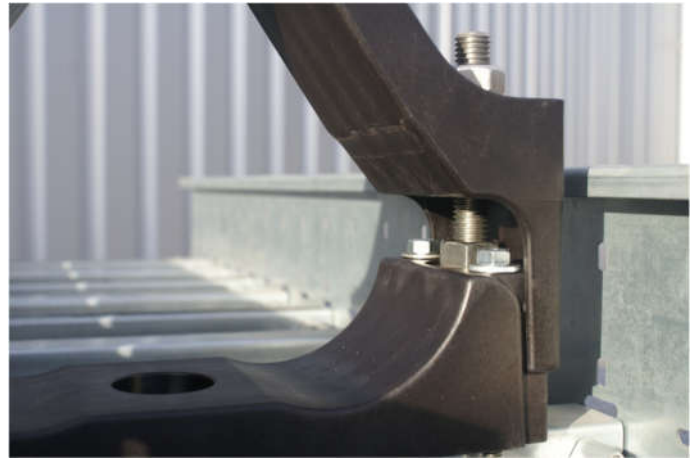
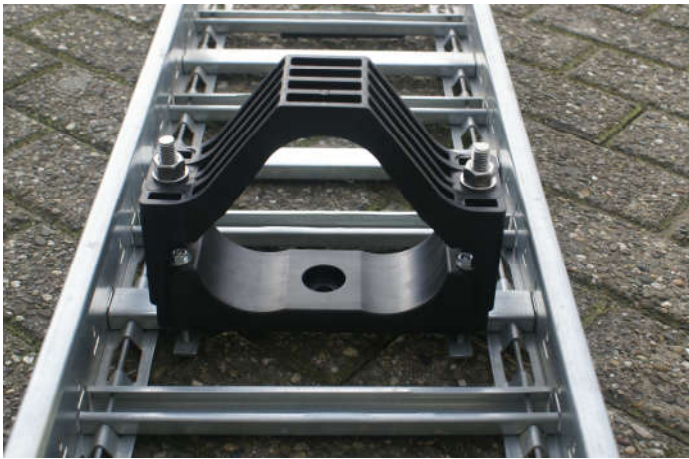
No rights may be derived from the indicated sizes, as the products are subject to ongoing development. KOZ® Products BV therefore reserves the right to implement these changes without notice. For the most up to date information, visit the website www.kozproducts.com. No part of this publication may be reproduced without the knowledge and specific permission of KOZ® Products BV.

TRI ECO 3x67-82



Dimensions in mm.														Packaging : per 16 pcs.
Type	D Ø	L	B	I	d Ø	H1	H2	h	A	C	I2	J	kd Ø	Strenght
TRI-ECO 3x67-82	67-82	232	70	200	12,5	90-121	72	52,5	17	12,5	190	50	8,3	23.900 N

Cleat with central fastening hole in bottom part and extra 4 holes in the top part as well in the bottom part . This cleat can be fastened on different kind of support systems without drilling.holes.



No rights may be derived from the indicated sizes , as the products are subject to ongoing development. KOZ® Products BV therefore reserves the right to implement these changes without notice. For the most up to date information , visit the website www.kozproducts.com . No part of this publication may be reproduced without the knowlegde and specific permission of KOZ® Products BV .