

It's all about experience.



Single



Trefoil



Universal



Special



KOZ® Products BV is specialized since 1998 in the design and manufacture of new and innovative cable cleats and cable blocks. We provide quality, service, durability and reliability.

KOZ® Cable cleats and blocks are certified according to the new standard NEN-EN-IEC 61914:2016

The following tests were applied :

- salt water spray test
- impact test
- light accelerated ageing test - voltage test
- lateral load test at +120°C
- axial load test at +120°C
- sliding load test with and without rubber inlays
- needle flame test
- test maximum temperature for permanent application +120°C
- test minimum temperature for permanent application -80°C
- test for resistance to electromechanical force in single, trefoil and flat formation

Application :

For arrangement of cables in flat formation, to provide securing of cables when installed at intervals along the length of cables, and to hold the cables together in order to provide resistance to electromechanical forces.

KOZ Cable Cleats range ST : cable range Min. Dia. mm 16 — Max. Dia. mm 160 .

2019 : New !! :
Type ST 120-160

Specifications KOZ® cable cleats range ST :

- Application:** Fitting of a number of single- and multiple-conductors, for low- medium- and high voltage cables.
- Material:** Polyamide, fiberglass-reinforced, black, halogen free, resistance to Ultraviolet rays, radioactive rays , UV rays, salt water , ozone,oils , acids, fuels and alkalis.
- Flame resistance:** UL94 V-0 and classification following DIN 5510-2:2009 with flammability class S3, smoke SR2 and dripping ST-2.
- Standards:** According to European Standard NEN-IEC 61914:2016, Certificate of Conformity KOZ N° 20117C by SGS. All products listed in this catalogue are factored fully compliant with the latest EU Directive 2011/65/EU ROHS. Meeting all legal obligations under reach.
- Flexure strenght:** 210 N/mm².
- Tensile strenght:** 120 N/mm².
- Thermal expansion:** 0,01% per 10 °C. temperature increase.
- Temperature limits:** Permanent application from - 80° C. to +120° C. Brief heating up to 220°C.
- Fixing Materials:** Standard material fixing sets in stainless steel A2
- Options :** fixing sets in Electrolytic ally galvanized, thermal/Hot Dip galvanized or stainless steel A4.
- Initial torque for fastening bolts/nuts/screws :** 5 - 8 Nm (depends also on cable manufacturer prescriptions).

Certificate of Conformity NEN-EN-IEC 61914:2016

KOZ® cable cleats passed all the following tests with positive results:

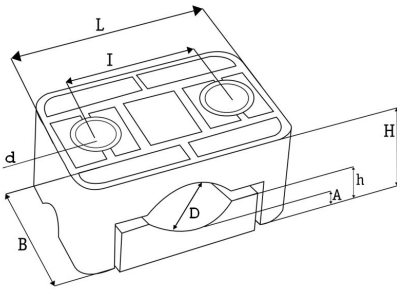
- Salt water spray test - impact test - light accelerated ageing test - voltage test - lateral load test at **+120°C** - axial load test at **+120°C** - sliding load test with and without rubber inlays - needle flame test - test maximum temperature for permanent application **+120°C** - test minimum temperature for permanent application **-80°C** - test for resistance to electromechanical force in single, trefoil and flat formation
- Tests by KEMA Netherlands, SGS Belgium , UL Inc. , Schneider France

Fixing Materials : For our full range of KOZ cable cleats and blocks we have the standard fixing material set (custom sizes) in stainless steel A2 deliverable from stock. **Other options :** Besides our standard fixing material set in stainless steel A2 we also have the options for other types such as Electrolytic ally galvanized (ELVZ), Thermal galvanized /Hot Dip Galvanized (HDG) or stainless steel A4. **Advice :** Naturally we are pleased to give you advice for which kind of fixing material you need in a specific situation. Do not hesitate to contact us if you have any questions regarding fixing material.



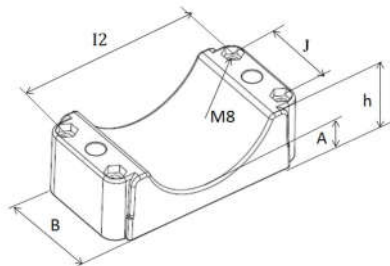
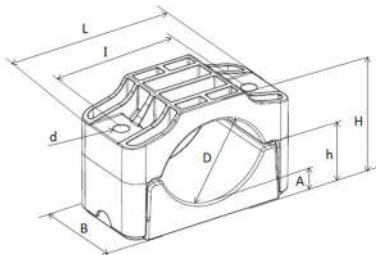
No rights may be derived from the indicated sizes , as the products are subject to ongoing development. KOZ® Products BV therefore reserves the right to implement these changes without notice. For the most up to date information , visit the website www.kozproducts.com . No part of this publication may be reproduced without the knowlegde and specific permission of KOZ® Products BV .

KOZ® Cable Cleats range ST

NEN-EN-IEC 61914 : 2016


Dimensions in mm . Packaging : per 50 pieces, for 75-100 per 25 pcs.

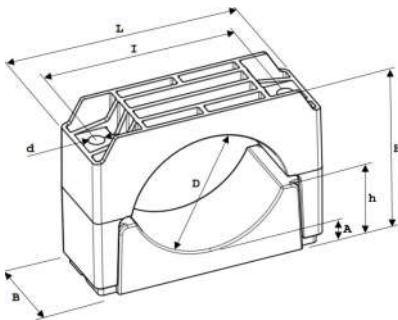
Type	D Ø	L	B	I	d Ø	H	h	A	Strenght
ST 18-26	16 - 26	77	45	49	10,5	36-44	13,5	6	25.400 N
ST 26-38	26 - 38	92	60	60	12,5	48-60	21	10	35.200 N
ST 36-52	36 - 52	108	60	75	12,5	58-74	27	11	28.000 N
ST 50-75	50 - 75	128	60	95	12,5	76-101	35	13	34.100 N
ST 75-100	75-100	170	80	127	14,5	114-141	49	19	85.100 N



Dimensions.in mm. Packaging : per 25pcs.

Type	D Ø	L	B	I	d Ø	H1
ST 75-105	75-105	160	80	125	13	109-139
		h	A	I2	J	Strenght
		49	16	133	51,4	71.300 N

With the extra 4 holes in the bottom part this cleat can be fastened on all kind of ladders,basket trays and support systems without drilling.



Dimensions in mm . Packaging : per 20 pcs.

Type	D Ø	L	B	I	d Ø	H	h	A	Strenght
ST 100-130	100-130	200	80	158	14,5	145-175	60	21	70.000 N
ST 120-160	120-160	230	80	190	15,5	145-185	71	24	48.000 N

ST 18-26
ST 26-38
ST 36-52
ST 50-75
ST 75-100

ST 75-105
ST 100-130
ST 120-160
NEW


No rights may be derived from the indicated sizes , as the products are subject to ongoing development. KOZ® Products BV therefore reserves the right to implement these changes without notice. For the most up to date information , visit the website www.kozproducts.com . No part of this publication may be reproduced without the knowlegde and specific permission of KOZ® Products BV .