

It's all about experience.



Single



Trefoil



Universal



Special



**KOZ[®] Products BV is specialized since 1998 in the design and manufacture of new and innovative cable cleats and cable blocks.
We provide quality, service, durability and reliability.**

**KOZ[®] Cable cleats and blocks are certified according to the new standard
NEN-EN-IEC 61914:2016**

The following tests were applied :

- salt water spray test
- impact test
- light accelerated ageing test - voltage test
- lateral load test at +120°C
- axial load test at +120°C
- sliding load test with and without rubber inlays
- needle flame test
- test maximum temperature for permanent application +120°C
- test minimum temperature for permanent application -80°C
- test for resistance to electromechanical force in single, trefoil and flat formation

Application :

For arrangement of cables in flat formation, to provide securing of cables when installed at intervals along the length of cables, and to hold the cables together in order to provide resistance to electromechanical forces.

KOZ Cable Cleats range STC : cable range Min. Dia. mm 21 — Max. Dia. mm 160.

The central fastening hole in the bottom part means that these type of cleats can be fastened to e.g. masts and poles, as well as to concrete and fitting rails.

Specifications KOZ® cable cleats range STC :

- Application:** Fitting of a number of single- and multiple-conductors, for low- medium- and high voltage cables.
- Material:** Polyamide, fiberglass-reinforced, black, halogen free, resistance to Ultraviolet rays, radioactive rays , UV rays, salt water , ozone,oils , acids, fuels and alkalis.
- Flame resistance:** UL94 V-0 and classification following DIN 5510-2:2009 with flammability class S3, smoke SR2 and dripping ST-2.
- Standards:** According to European Standard NEN-IEC 61914:2016, Certificate of Conformity KOZ N° 20117C by SGS. All products listed in this catalogue are factored fully compliant with the latest EU Directive 2011/65/EU ROHS. Meeting all legal obligations under reach.
- Flexure strenght:** 210 N/mm².
- Tensile strenght:** 120 N/mm².
- Thermal expansion:** 0,01% per 10 °C. temperature increase.
- Temperature limits:** Permanent application from - 80° C. to +120° C. Brief heating up to 220°C.
- Fixing Materials:** Standard material fixing sets in stainless steel A2
Options : fixing sets in Electrolytic ally galvanized, thermal/Hot Dip galvanized or stainless steel A4.
- Initial torque for fastening bolts/nuts/screws :** 5 - 8 Nm (depends also on cable manufacturer prescriptions).

Certificate of Conformity NEN-EN-IEC 61914:2016

KOZ® cable cleats passed all the following tests with positive results:

- Salt water spray test - impact test - light accelerated ageing test - voltage test - lateral load test at **+120°C** - axial load test at **+120°C** - sliding load test with and without rubber inlays - needle flame test - test maximum temperature for permanent application **+120°C** - test minimum temperature for permanent application **-80°C** - test for resistance to electromechanical force in single, trefoil and flat formation
- Tests by KEMA Netherlands, SGS Belgium , UL Inc. , Schneider France

Fixing Materials : For our full range of KOZ cable cleats and blocks we have the standard fixing material set (custom sizes) in stainless steel A2 deliverable from stock. Other options : Besides our standard fixing material set in stainless steel A2 we also have the options for other types such as Electrolytic ally galvanized (ELVZ), Thermal galvanized /Hot Dip Galvanized (HDG) or stainless steel A4. **Advice :** Naturally we are pleased to give you advice for which kind of fixing material you need in a specific situation. Do not hesitate to contact us if you have any questions regarding fixing material.

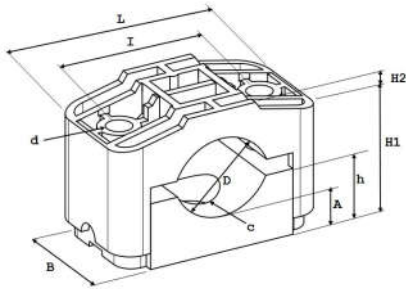


No rights may be derived from the indicated sizes , as the products are subject to ongoing development. KOZ® Products BV therefore reserves the right to implement these changes without notice. For the most up to date information , visit the website www.kozproducts.com . No part of this publication may be reproduced without the knowlegde and specific permission of KOZ® Products BV .

KOZ® Cable Cleats range STC

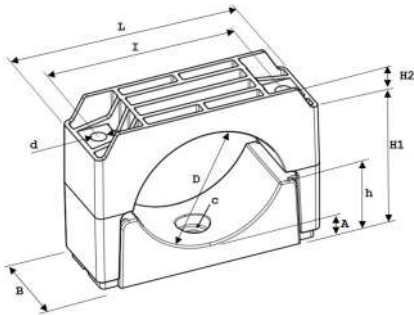


NEN-EN-IEC 61914 : 2016



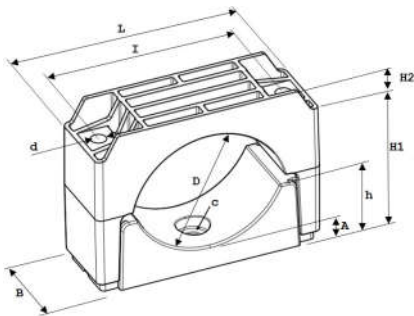
Dimensions in mm .												Packaging : per 50 pcs. , for 72-100 per 25 pcs.
Type	D Ø	L	B	I	d Ø	H1	H2	h	A	C	Streight	
STC 21-38	21-38	92	60	60	12,5	45-61	9	26	18	12,5	38.700 N	
STC 36-52	36-52	107	60	75	12,5	57-75	12	33	18	12,5	43.200 N	
STC 46-75	46-75	128	60	95	12,5	65-95	14	35	20	12,5	40.800 N	
STC 72-100	72-100	172	80	127	14,5	91-119	19	51	22,5	14,5	47.800 N	

The central fastening hole in the bottom part means that these type of cleats can be fastened to e.g. masts and poles , as well as to concrete and fitting rails.



Dimensions in mm .												Packaging : per 20 pcs.
Type	D Ø	L	B	I	d Ø	H1	H2	h	A	C	Streight	
STC 100-130	100-130	200	80	158	14,5	145-175	23	60	21	13	70.000 N	

The central fastening hole in the bottom part means that these type of cleats can be fastened to e.g. masts and poles , as well as to concrete and fitting rails.



Dimensions in mm .												Packaging : per 20 pcs.
Type	D Ø	L	B	I	d Ø	H1	H2	h	A	C	Streight	
STC 120-160	120-160	230	80	190	15,5	145-185	23	71	24	14,5	48.000 N	

The central fastening hole in the bottom part means that these type of cleats can be fastened to e.g. masts and poles , as well as to concrete and fitting rails.

STC 21-38

STC 36-52

STC 46-75

STC 72-100



STC 100-130

STC 120-160

OPTION : Fixing materials : stainless steel A2 (standard).



No rights may be derived from the indicated sizes , as the products are subject to ongoing development. KOZ® Products BV therefore reserves the right to implement these changes without notice. For the most up to date information , visit the website www.kozproducts.com . No part of this publication may be reproduced without the knowlegde and specific permission of KOZ® Products BV .